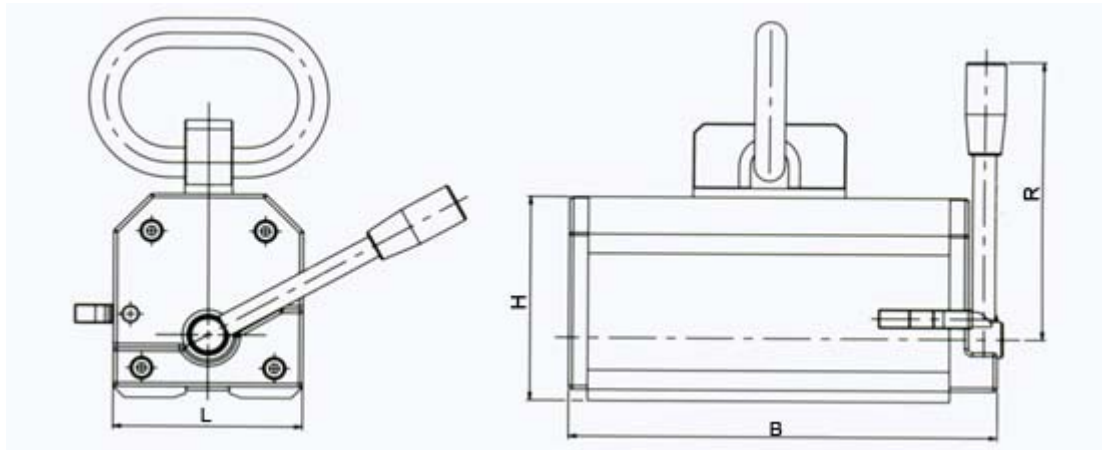
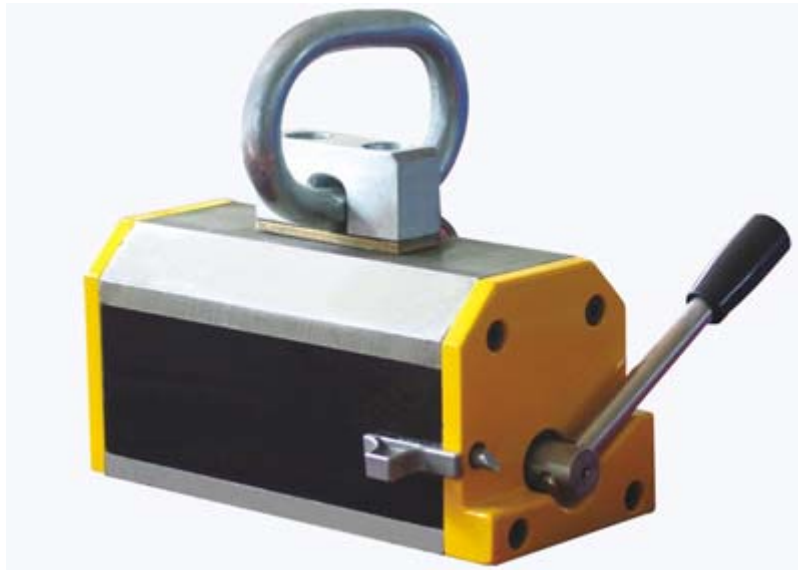


## E Series Permanent Magnetic Lifter



Model	Rated lifting strength(Kgf)	Cylindrical lifting strength(Kgf)	Max.pull-off strength(Kgf)	L	B	H	R	Operation temperature(°C)	Dead weight(Kg)
CSYQ100E	100	50	300	60	114	65	136	<80	3.0
CSYQ150E	150	75	450	60	147	65	136	<80	3.5
CSYQ200E	200	100	600	80	140	85	136	<80	6.0
CSYQ300E	300	150	900	80	170	91	136	<80	9.5
CSYQ500E	500	250	1500	100	225	110	150	<80	16.0
CSYQ1000E	1000	500	3000	176	300	165	285	<80	58.0
CSYQ2000E	2000	1000	6000	200	400	210	335	<80	116.5

The dimensions provided are only for reference, customer designs are acceptable.

[Back](#)