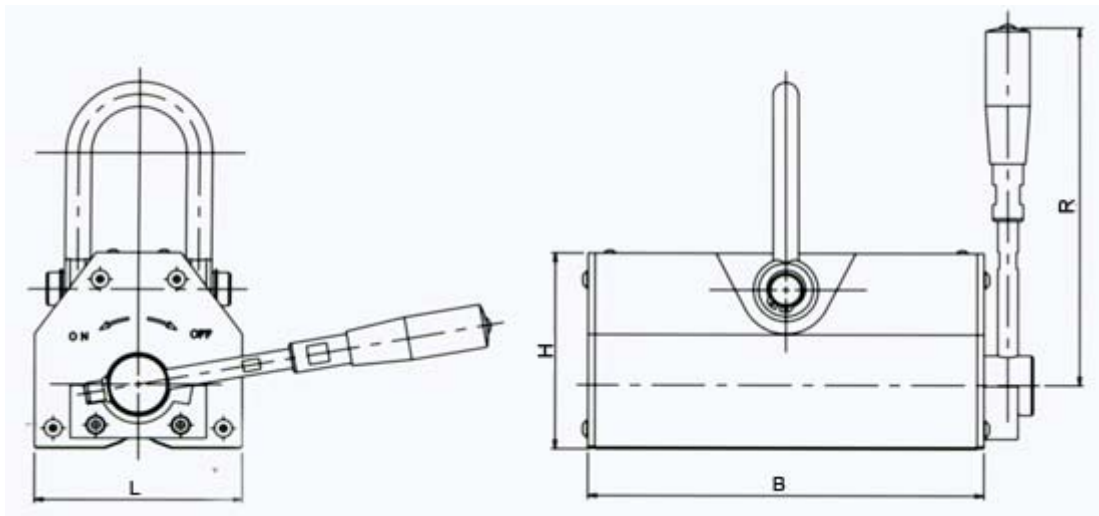


D Series Permanent Magnetic Lifter



Model	Rated lifting strength(Kgf)	Cylindrical lifting strength(Kgf)	Max.pull-off strength(Kgf)	L	B	H	R	Operation temperature(°C)	Dead weight(Kg)
CSYQ100D	100	50	350	64	92	67	148	<80	3.0
CSYQ300D	300	150	1050	92	162	91	180	<80	7.5
CSYQ600D	600	300	2100	122	233	118	185	<80	23.0
CSYQ1000D	1000	500	3500	179	268	164	210	<80	55.5
CSYQ2000D	2000	1000	7000	234	378	212	365	<80	125.0

The dimensions provided are only for reference, customer designs are acceptable.

[Back](#)