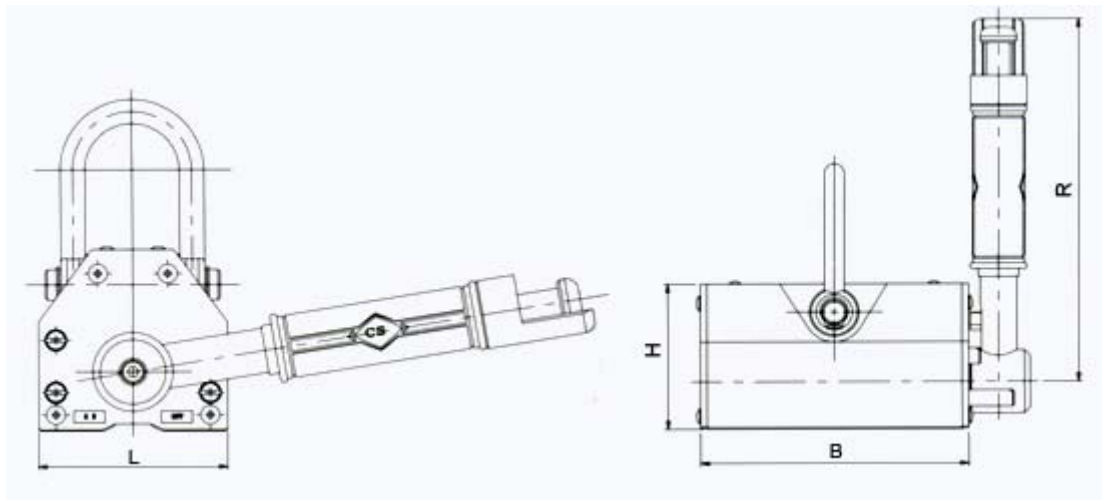


A Series Permanent Magnetic Lifter



Model	Rated lifting strength(Kgf)	Cylindrical lifting strength(Kgf)	Max.pull-off strength(Kgf)	L	B	H	R	Operation temperature(°C)	Dead weight(Kg)
CSYQ100A	100	50	350	64	92	67	107	<80	3.0
CSYQ300A	300	150	1050	92	162	91	155	<80	7.5
CSYQ600A	600	300	2100	122	233	118	196	<80	23.0
CSYQ1000A	1000	500	3500	179	268	164	255	<80	55.5
CSYQ2000A	2000	1000	7000	234	378	212	426	<80	125.0
CSYQ3000A	3000	1500	10500	310	497	252	505	<80	220.0
CSYQ6000A	6000	3000	21000	442	621	210	548	<80	440.0

The dimensions provided are only for reference. Customer designs are acceptable.

[Back](#)